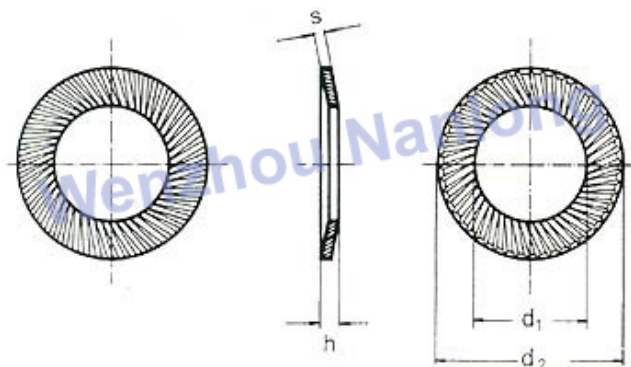


## DIN 9250 Safety lock serrate washer



Fastener&gt;&gt; DIN Fastener &gt;&gt; DIN 9250 Safety lock serrate washer

## DIN 9250 Safety lock serrate washer - Type "S"



## DIN Fastener:

DIN-Cap nuts  
 DIN-Castle nuts  
 DIN-Clevis pins  
 DIN-Clevis pins  
 DIN-Knurled nuts  
 DIN-Shim rings  
 DIN-Slotted head screws  
 DIN-Square head bolts  
 DIN-Square nuts  
 DIN-Tapping screws  
 DIN-Thread forming screws  
 DIN-Washers for use in structural steelwork  
 DIN-Weld nuts  
 DIN-Weld screws  
 DIN-Wood screws  
 DIN-Cross recessed head screws  
 DIN-Double end studs  
 DIN-Pins  
 DIN-Nails  
 DIN-Hexagon head bolts and screws  
 DIN-Hexagon head bolts and screws for use in  
 DIN-Structural steelwork  
 DIN-Drilling screws with tapping screw thread  
 DIN-Split pins  
 DIN-Plain washers  
 DIN-Hexalobular head bolts  
 DIN-Prevailing torque type nuts  
 DIN-Special washers  
 DIN-Miscellaneous bolts and screws  
 DIN-Miscellaneous nuts  
 DIN-Retaining rings  
 DIN-Keys

M	d1	d2	s	h
1.6	1.7	3.2	0.35	0.6
2	2.2	4	0.35	0.6
2.5	2.7	4.8	0.45	0.9
3	3.2	5.5	0.45	0.9
3.5	3.7	6	0.45	0.9
4	4.3	7	0.5	1
5	5.3	9	0.6	1.1
6	6.4	10	0.7	1.2
6.35	6.7	9.5	0.7	1.2
7	7.4	12	0.7	1.3
8	8.4	13	0.8	1.4
10	10.5	16	1	1.6
11.1	11.6	15.5	1	1.6
12	13	18	1.1	1.7
12.7	13.7	19	1.1	1.8
14	15	22	1.2	2
16	17	24	1.3	2.1
18	19	27	1.5	2.3
19	20	30	1.5	2.4
20	21	30	1.5	2.4
22	23	33	1.5	2.5
24	25.6	36	1.8	2.7
25.4	27	38	2	2.8
27	28.6	39	2	2.9
30	31.6	45	2	3.2
33	34.8	50	2.5	4
36	38	54	2.5	4.2
42	44	63	3	4.8

## DIN 9250 Safety lock serrate washer - Type "VS"