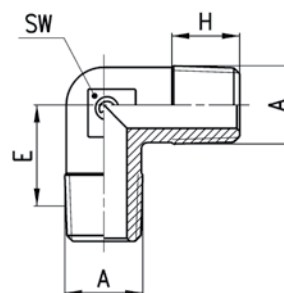


Raccordi Mod. 2010

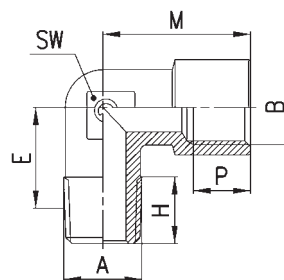
Nuove taglie



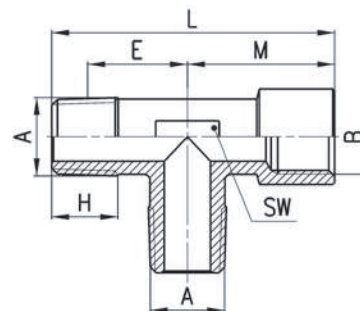
| Mod. | A | E | H | SW | Peso (g) |
|----------|------|------|------|----|----------|
| 2010 1/8 | R1/8 | 11,5 | 7,5 | 9 | 10 |
| 2010 1/4 | R1/4 | 13,5 | 11 | 12 | 18 |
| 2010 3/8 | R3/8 | 15,5 | 11,5 | 14 | 28 |
| 2010 1/2 | R1/2 | 16 | 14 | 16 | 47 |
| 2010 3/4 | R3/4 | 19 | 16 | 25 | 103 |
| 2010 1 | R1 | 23 | 17 | 30 | 183 |

Raccordi Mod. 2021 e 2020

Nuove taglie



| Mod. | A | B | E | H | M | P | SW | Peso (g) |
|--------------|------|------|------|------|------|------|----|----------|
| 2021 M5-M5 | M5 | M5 | 9 | 4 | 10,5 | 4,5 | 9 | 7 |
| 2020 1/8-1/8 | R1/8 | G1/8 | 11,5 | 8,5 | 19 | 6 | 11 | 17 |
| 2020 1/4-1/4 | R1/4 | G1/4 | 15 | 11 | 23 | 7 | 13 | 27 |
| 2020 3/8-3/8 | R3/8 | G3/8 | 15 | 11,5 | 25 | 8 | 15 | 33 |
| 2020 1/2-1/2 | R1/2 | G1/2 | 17,5 | 14 | 31,5 | 9,5 | 20 | 63 |
| 2020 3/4-3/4 | R3/4 | G3/4 | 19 | 16 | 36,5 | 16,5 | 25 | 126 |
| 2020 1-1 | R1 | G1 | 23 | 17 | 45 | 19 | 30 | 209 |

Raccordi Mod. 2050


| Mod. | A | B | E | H | L | M | SW | Peso (g) |
|--------------|------|------|------|------|------|------|----|----------|
| 2050 1/8-1/8 | R1/8 | G1/8 | 11,5 | 8,5 | 37 | 19 | 12 | 27 |
| 2050 1/4-1/4 | R1/4 | G1/4 | 15 | 11 | 46 | 23 | 13 | 35 |
| 2050 3/8-3/8 | R3/8 | G3/8 | 15 | 11,5 | 48,5 | 25 | 16 | 44 |
| 2050 1/2-1/2 | R1/2 | G1/2 | 17,5 | 14 | 60,5 | 31,5 | 20 | 83 |