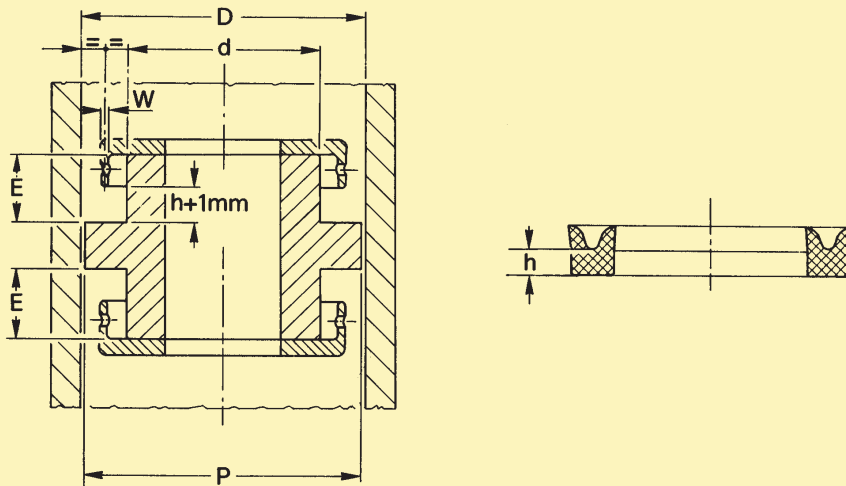


"U" RINGS

POLYPAC
SEALING SYSTEMS

Tabella dimensioni - URS-URFU



D nominale	Tolleranze sulle dimensioni nominali				
	D	d	E	P	W
0 ÷ 100		± 0.03			
101 ÷ 250	ISO (H 11)	± 0.04	± 0.10	D min - 0.30	± 0.10
251 ÷ 500		± 0.06			
oltre 500		± 0.10			

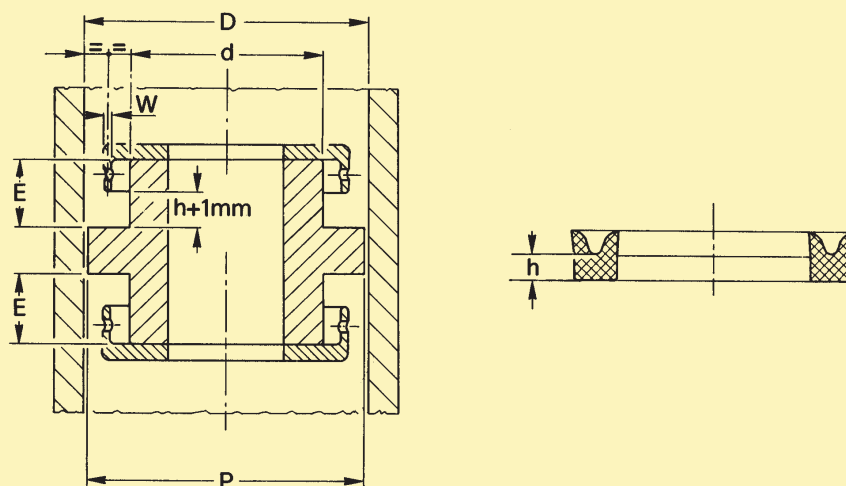
Riferimento	Dimensioni nominali delle sedi				
	D	d	E	W	h = altezza base
# URS 062025	15.87	6.35	7.00	1.58	1.58
# URS 068031	17.46	7.93	7.00	1.58	1.58
# URS 075037	19.05	9.52	7.00	1.58	1.58
URS 081043	20.63	11.11	7.00	1.58	1.58
# URS 087050	22.22	12.70	7.00	1.58	1.58
# URFU 110078	28.00	20.00	7.00	1.30	3.00
# URS 112062	28.58	15.87	8.50	1.58	2.38
URS 118068	30.16	17.46	8.50	1.58	2.38
# URS 125075	31.75	19.05	8.50	1.58	2.38
URS 131081	33.34	20.63	8.50	1.58	2.38
# URS 137087	34.93	22.22	8.50	1.58	2.38
URS 151100	38.10	25.40	8.50	1.58	2.38
URFU 157078	40.00	20.00	12.50	1.58	4.00
URFU 157098	40.00	25.00	12.50	1.58	5.00
URFU 157115	39.88	29.38	10.50	1.58	3.97
URS 162100	41.28	25.40	10.50	2.38	2.38
URS 175112	44.45	28.58	10.50	2.38	2.38
# URFU 177118/1	45.00	30.00	13.00	2.38	4.50
# URS 181118	46.04	30.16	10.50	2.38	2.38
URS 187125	47.63	31.75	10.50	2.38	2.38

disponibile su richiesta.

"U" RINGS

POLYPAC
SEALING SYSTEMS

Tabella dimensioni - URS-URFU



D nominale	Tolleranze sulle dimensioni nominali				
	D	d	E	P	W
0 ÷ 100		± 0.03			
101 ÷ 250	ISO (H 11)	± 0.04	± 0.10	D min - 0.30	± 0.10
251 ÷ 500		± 0.06			
oltre 500		± 0.10			

Riferimento	Dimensioni nominali delle sedi				
	D	d	E	W	h = altezza base
URFU 196118	50.00	30.00	12.50	2.38	4.00
URFU 196137	50.00	35.00	10.00	1.58	4.00
URS 200137	50.80	34.93	10.50	2.38	2.38
URS 212150	53.98	38.10	10.50	2.38	2.38
# URFU 216157	55.00	40.00	12.50	2.00	4.00
# URS 225162	57.15	41.28	10.50	2.38	2.38
# URFU 236157	60.00	40.00	12.50	1.58	6.00
# URS 237175	60.33	44.45	10.50	2.38	2.38
# URS 250187	63.50	47.63	10.50	2.38	2.38
# URFU 250187/1	63.50	47.63	10.50	1.58	5.00
# URFU 250200	63.50	50.80	9.50	2.38	2.38
# URFU 255177	65.00	45.00	12.50	1.58	4.00
# URFU 255196	65.00	50.00	10.00	1.58	4.00
# URS 262187	66.68	47.63	12.00	3.17	3.17
# URS 262200	66.68	50.80	10.50	2.38	2.38
# URFU 275196	70.00	50.00	12.50	1.58	4.00
# URS 275200	69.85	50.80	12.00	3.17	3.17
# URFU 275216	70.00	55.00	10.00	1.58	4.00
# URS 287212	73.03	53.98	12.00	3.17	3.17
# URFU 295216	75.00	55.00	12.50	1.58	5.00

disponibile su richiesta.

"U" RINGS

POLYPAC
SEALING SYSTEMS

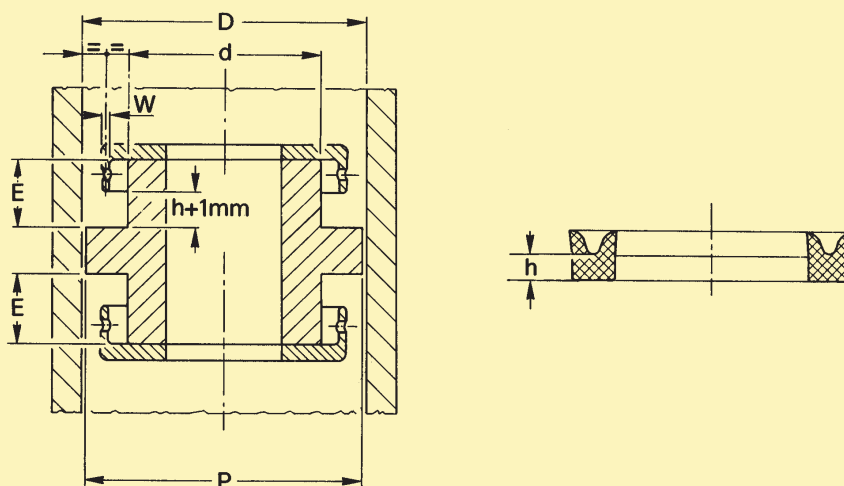
Tabella dimensioni - URS-URFU

Riferimento	Dimensioni nominali delle sedi				
	D	d	E	W	h = altezza base
# URS 300225	76.20	57.15	12.00	3.17	3.17
URFU 300237	76.20	60.32	12.00	2.00	3.33
URS 312237	79.38	60.33	12.00	3.17	3.17
URFU 314236	80.00	60.00	12.50	3.17	3.17
URFU 314236/A	80.00	60.00	12.50	1.58	6.00
URFU 314236/B	80.00	60.00	12.50	2.50	4.90
URFU 325250	82.55	63.50	12.00	1.58	5.55
# URS 325250	82.55	63.50	12.00	3.17	3.17
URFU 334216	85.00	55.00	17.50	3.96	5.80
URFU 334255/A	85.00	65.00	12.50	1.58	5.00
URFU 336262	85.33	66.67	12.00	1.58	5.55
# URS 337262	85.73	66.67	12.00	3.17	3.17
# URS 350275	88.90	69.85	12.00	3.17	3.17
URFU 350287	88.90	73.02	11.00	2.76	2.76
URFU 354275	90.00	70.00	12.50	1.58	5.00
URFU 374255	95.00	65.00	14.50	4.00	4.50
# URFU 374295	95.00	75.00	12.50	3.17	5.00
URS 375300	95.25	76.20	12.00	3.17	3.17
URFU 375300	95.25	76.20	12.00	2.00	5.55
URFU 393295	100.00	75.00	12.50	3.17	3.74
URFU 393314	100.00	80.00	12.50	3.17	3.17
URFU 393314/A	100.00	80.00	12.50	1.58	6.00
URFU 393314/B	100.00	80.00	12.50	2.50	7.90
# URFU 393334	100.00	85.00	10.00	2.00	4.00
# URS 400325	101.60	82.55	12.00	3.17	3.17
URFU 413334	105.00	85.00	12.50	2.00	5.00
# URS 425325	107.95	82.55	15.00	3.96	3.96
URFU 425350	107.95	88.90	12.00	2.00	6.00
# URS 425350	107.95	88.90	12.00	3.17	3.17
URFU 433314/1A	110.00	80.00	17.50	3.17	6.50
URFU 433354	110.00	90.00	12.50	1.58	5.00
URS 450350	114.30	88.90	15.00	3.96	3.96
# URFU 450350	114.30	88.90	15.00	1.58	7.00
URFU 452374	115.00	95.00	12.50	1.58	5.00
# URFU 462362	117.47	92.07	14.50	3.96	6.00
URFU 472374	120.00	95.00	14.50	3.96	6.00
URFU 472393	120.00	100.00	12.50	2.50	5.00
URS 475375	120.65	95.25	15.00	3.96	3.96
# URFU 492374	125.00	95.00	17.50	3.96	6.00
URFU 492393	125.00	100.00	14.50	3.17	4.80
# URFU 500400	127.00	101.60	15.00	2.50	7.50
# URS 500400	127.00	101.60	15.00	3.96	3.96
URFU 511393	130.00	100.00	17.50	4.00	4.75
URS 525425	133.35	107.95	15.00	3.96	3.96
URFU 525425	133.35	107.95	15.00	2.00	7.00
URFU 531453	135.00	110.00	14.50	3.17	5.00
# URS 550450	139.70	114.30	15.00	3.96	3.96
URFU 551433	140.00	110.00	18.50	2.50	5.00

"U" RINGS

POLYPAC
SEALING SYSTEMS

Tabella dimensioni - URS-URFU



D nominale	Tolleranze sulle dimensioni nominali				
	D	d	E	P	W
0 ÷ 100		± 0.03			
101 ÷ 250	ISO (H 11)	± 0.04	± 0.10	D min - 0.30	± 0.10
251 ÷ 500		± 0.06			
oltre 500		± 0.10			

Riferimento	Dimensioni nominali delle sedi				
	D	d	E	W	h = altezza base
# URFU 551472	140.00	120.00	12.50	2.00	6.00
# URFU 575475	146.05	120.65	15.00	2.00	7.00
# URS 575475	146.05	120.65	15.00	3.96	3.96
# URFU 590472	150.00	120.00	17.50	4.00	5.00
# URFU 590511	150.00	130.00	17.50	3.96	8.50
# URS 600500	152.40	127.00	15.00	3.96	3.96
# URFU 600500/1	152.40	127.00	15.50	2.00	7.00
# URS 625525	158.75	133.35	15.00	3.96	3.96
# URFU 629511	160.00	130.00	17.50	3.76	7.00
# URS 650550	165.10	139.70	15.00	3.96	3.96
# URFU 669551	170.00	140.00	17.50	4.00	6.50
# URS 675575	171.45	146.05	15.00	3.96	3.96
# URS 700600	177.80	152.40	15.00	3.96	3.96
# URFU 708590	180.00	150.00	17.50	2.76	6.50
# URS 725600	184.15	152.40	18.50	4.76	4.76
# URFU 748629	190.00	160.00	21.50	4.50	7.50
# URS 750625	190.50	158.75	18.50	4.76	4.76
# URS 775650	196.90	165.10	18.50	4.76	4.76
# URFU 787629	200.00	160.00	26.50	4.50	9.50
# URS 800675	203.20	171.45	18.50	4.76	4.76

disponibile su richiesta.

"U" RINGS

POLYPAC
SEALING SYSTEMS

Tabella dimensioni - URS-URFU

Riferimento	Dimensioni nominali delle sedi					h = altezza base
	D	d	E	W		
# URS 825700	209.55	177.80	18.50	4.76	4.76	
URS 850725	215.90	184.15	18.50	4.76	4.76	
URFU 866748	220.00	190.00	22.50	3.76	8.00	
URS 875750	222.25	190.50	18.50	4.76	4.76	
URS 900775	228.60	196.90	18.50	4.76	4.76	
# URS 925800	234.95	203.20	15.88	4.76	4.76	
# URS 950825	241.30	209.55	18.50	4.76	4.76	
# URS 975850	247.65	215.90	18.50	4.76	4.76	
URS 1000875	254.00	222.25	18.50	4.76	4.76	
URS 1050925	266.70	235.00	18.50	4.76	4.76	
URS 1100975	279.40	247.65	18.50	4.76	4.76	
# URS 11501025	292.10	260.35	18.50	v. nota	4.76	
URS 12001075	304.80	273.00	18.50	v. nota	4.76	
# URFU 13381200	340.00	305.00	21.50	v. nota	7.50	

Nota: Per questi diametri sono ammesse flange di posizionamento piane, mantenendo inalterate le restanti dimensioni delle sedi.