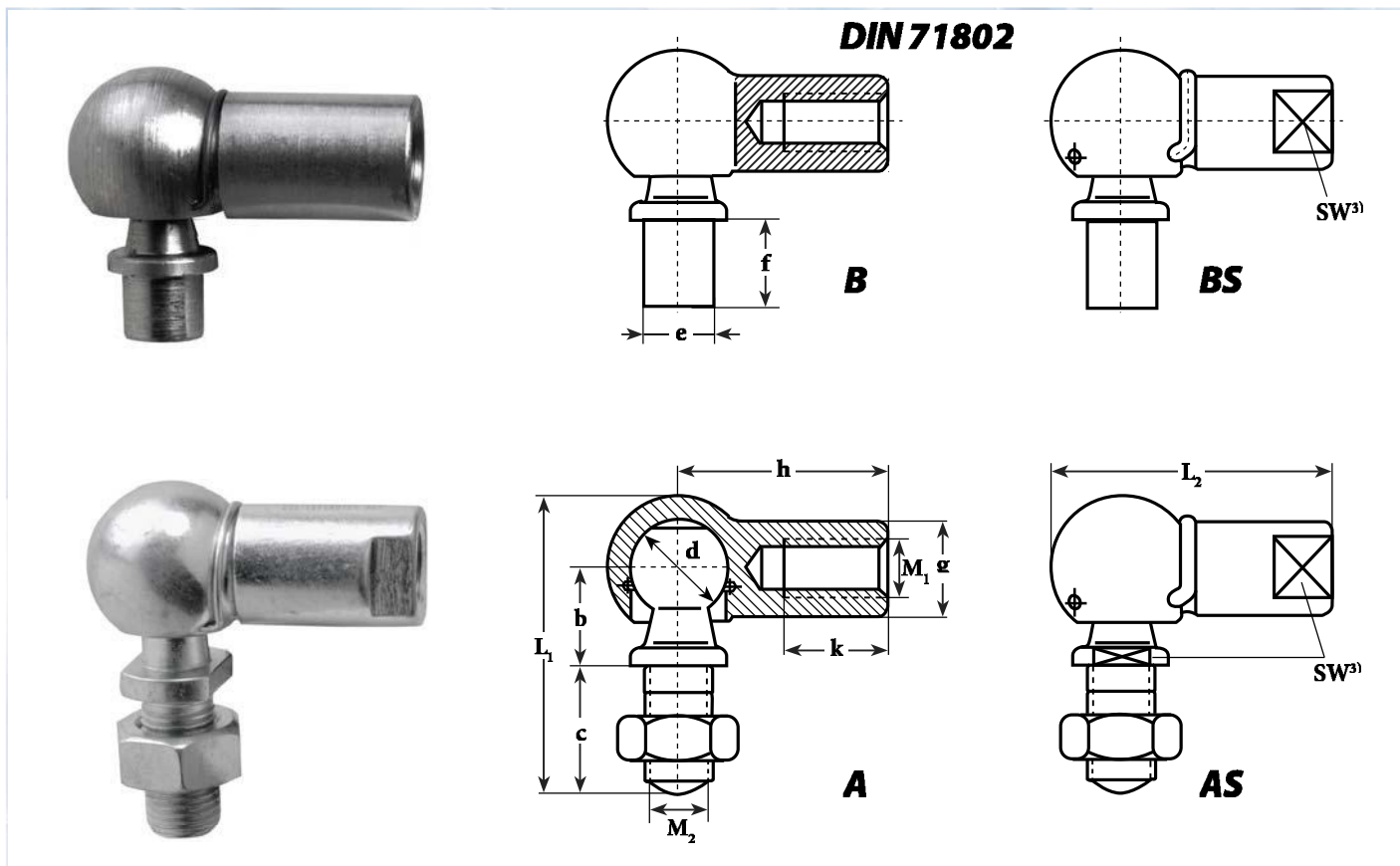


# Articolazioni angolari con testa sferica temprata

## Ball joints rod ends with shank



Siala <sup>1)</sup> Designation <sup>1)</sup>		Dimensioni mm Dimensions mm												Peso Weight B-BS	Peso Weight A-AS
con tenuta a molla <sup>2)</sup> with spring clamp <sup>2)</sup>	con anello di sicurezza with safety ring	d H9/h8	b <sub>±0.3</sub>	c <sub>±0.3</sub>	e <sub>h11</sub>	f <sub>±0.2</sub>	a	h <sub>±0.3</sub>	k <sub>min</sub>	L <sub>1</sub>	L <sub>2</sub>	M <sub>1(6H)</sub> - M <sub>2(6h)</sub>	SW <sup>3)</sup> h14	≈ Ka	≈ Ka
<b>B - BS 8</b>	<b>A - AS 8</b>	<b>8</b>	9	10	5	4 7.5	8	22	10.2	25.2	28.5	M 5x0.8	7	0.013	0.014
<b>B - BS 10</b>	<b>A - AS 10</b>	<b>10</b>	11	12.5	6	4.5 8	10	25	11.5	30.2	32.5	M 6x1	8	0.021	0.024
<b>B - BS 13</b>	<b>A - AS 13</b>	<b>13</b>	13	16.5	8	5 10	13	30	14	38.2	39.5	M 8x1.25	11	0.044	0.053
<b>B - BS 16</b>	<b>A - AS 16</b>	<b>16</b>	16	20	10	6 13	16	35	15.5	47.5	47	M 10x1.5	13	0.084	0.097
<b>B - BS 16-1</b>	<b>A - AS 16-1</b>	<b>16</b>	16	20	12	6 13	16	35	15.5	47.5	47	M 12x1.75	13	0.084	0.097
<b>B - BS 19</b>	<b>A - AS 19</b>	<b>19</b>	20	27	14	12 18	22	45	21.5	62.5	60	M 14x2	17	0.184	0.218
<b>B - BS 19-1</b>	<b>A - AS 19-1</b>	<b>19</b>	20	27	14	12 18	22	45	21.5	62.5	60	M 14x1.5	17	0.184	0.218

**Su richiesta, disponibili in acciaio inox**  
**Under request, stainless steel available**

<sup>1)</sup> Per filettatura a sinistra aggiungere il suffisso "L" (esempio: B-BSL... - A-ASL...)  
The shank of ball joint housing may be left-hand thread, for left-hand thread suffix "L" is added (example: B-BSL... - A-ASL...)

<sup>2)</sup> Disponibili su richiesta Available under request

Lavorazione normale: trattamento di zincatura FeZn7 Uni 4721 - a richiesta superficie aerea oliata  
Surface: zinc-plating FeZn7 Uni 4721 - raw oiled surface available under request  
<sup>3)</sup> Piani di serraggio - Clamp clamps