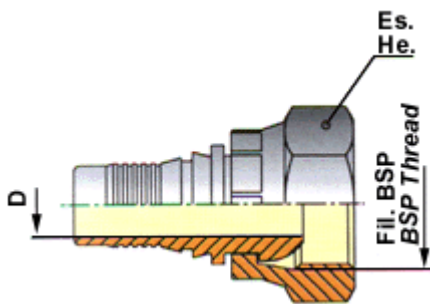


## F. Femmina diritta gas



(\*) Codolo: ottone UNI 5705-65

Dado: acciaio UNI 5105

(\*\*) Inox AISI 316 UNI 6901-71

| Codice Ref. (*) | Filetto BSP BSP thread | Ø int. tubo I.D. hose mm | D    | Es. He. | Codice inox S/S ref. (**) |
|-----------------|------------------------|--------------------------|------|---------|---------------------------|
| 0901            | 1/8"                   | 5                        | 3,5  | 14      | 0913                      |
| 0902            | 1/4"                   | 6,5                      | 4,5  | 19      | 0914                      |
| 0903            | 3/8"                   | 8                        | 5,5  | 22      | 0915                      |
| 0904            | 3/8"                   | 9,5                      | 7    | 22      | 0916                      |
| 0947            | 1/2"                   | 9,5                      | 7    | 27      | -                         |
| 0905            | 1/2"                   | 10,5                     | 8    | 27      | -                         |
| 0906            | 1/2"                   | 13                       | 10   | 27      | 0918                      |
| 0907            | 3/4"                   | 16                       | 12,5 | 32      | 0919                      |
| 0908            | 3/4"                   | 19                       | 15   | 32      | 0920                      |
| 0870            | 1"                     | 19                       | 15   | 38      | -                         |
| 0909            | 1"                     | 22                       | 18   | 38      | -                         |
| 0910            | 1"                     | 25                       | 20   | 38      | 0922                      |
| 0911            | 1.1/4"                 | 28,5                     | 24   | 50      | -                         |
| 1139            | 1.1/4"                 | 32                       | 27   | 50      | 1153                      |
| 1140            | 1.1/2"                 | 38                       | 33   | 55      | 1152                      |
| 1141            | 2"                     | 50                       | 44   | 65      | 1154                      |