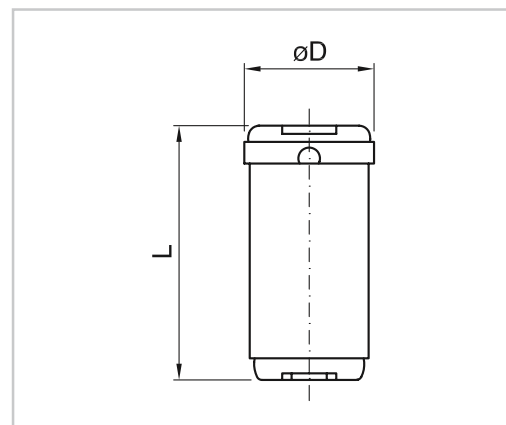
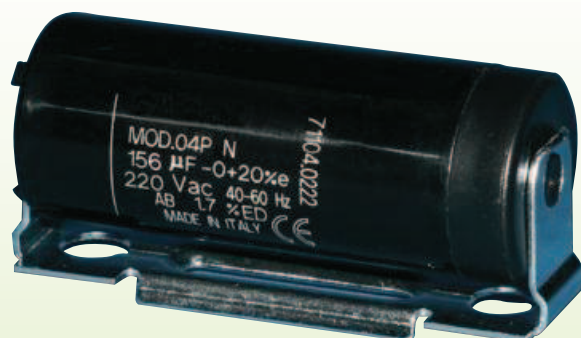


CONDENSATORI ELETTROLITICI

ELECTROLYTIC CAPACITORS

PER AVVIAMENTO MOTORI MONOFASI / FOR SINGLE-PHASE MOTORS START-UP

Tensione di lavoro 220V
operating voltage 220V



Articolo Art.	Capacità µF Capacity µF	Ø D	mm. L
CD.351	40 ÷ 48	36.5	98
CD.352	50 ÷ 60	36.5	98
CD.353	63 ÷ 76	36.5	98
CD.354	80 ÷ 96	36.5	98
CD.355	100 ÷ 120	36.5	98
CD.356	125 ÷ 150	46	98
CD.357	156 ÷ 187	46	98
CD.358	200 ÷ 240	46	98
CD.359	250 ÷ 300	46	124
CD.360	315 ÷ 378	46	124

COPERCHI IN PLASTICA PER CONDENSATORI

PLASTIC COVER FOR CAPACITORS

Art. **CC.24**



Articolo Art.	Diametro Diameter
CC24.25	25
CC24.30	30
CC24.35	35
CC24.40	40
CC24.45	45
CC24.50	50
CC24.55	55