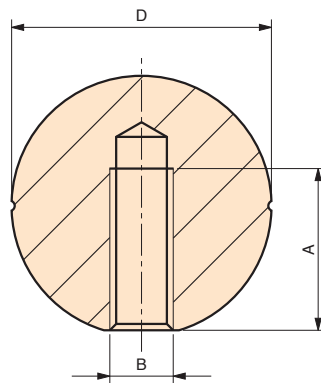


PB

Pomolo a sfera Ball knob

Poignée sphérique



cod.	modello	D	A	B
6131005	PB/19	19	10	M4
6131010	PB/19	19	10	M5
6131015	PB/19	19	10	M6
6131020	PB/25	25	17	M5
6131025	PB/25	25	17	M6
6131030	PB/25	25	17	M8
6131035	PB/32	32	20	M5
6131040	PB/32	32	20	M6
6131045	PB/32	32	20	M8
6131050	PB/32	32	20	M10
6131052	PB/32	32	20	M12
6131060	PB/41	41	20	M6
6131065	PB/41	41	20	M8
6131070	PB/41	41	20	M10
6131075	PB/41	41	20	M12
6131076	PB/41	41	20	M16
6131090	PB/47	47	23	M10
6131095	PB/47	47	23	M12
6131100	PB/47	47	23	M14
6131150	PB/47	47	23	M16
6131125	PB/60	60	25	M8
6131130	PB/60	60	25	M10
6131135	PB/60	60	25	M12
6131140	PB/60	60	25	M14
6131145	PB/60	60	25	M16

Canalino equatoriale.
Foro cieco filettato.
Equatorial groove.
Moulded in female thread.
Petite rainure équatoriale.
Alésage taraudé.

NOTE:

Si forniscono, per quantità adeguate, in colori diversi e con inserti a misura.

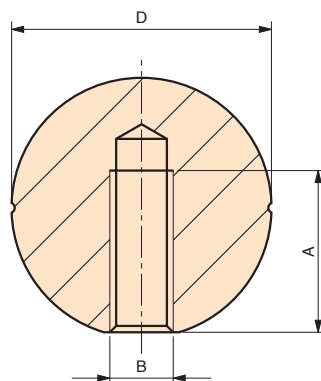
Materiale:

Duroplasto nero.
Black phenolic plastic.
Duroplast noir.

PB

Pomolo a sfera Ball knob

Poignée sphérique



Canalino equatoriale. Foro cieco filettato.
Equatorial groove. Moulded in female thread.
Petite rainure équatoriale. Alésage taraudé.

cod.	modello	D	A	B
8100411	PB/32	32	20	M8
8100671	PB/32	32	20	M10
8100418	PB/41	41	20	M10
8100873	PB/41	41	20	M12
8100340	PB/47	47	23	M12

NOTE: Si forniscono, per quantità adeguate, altre misure.

Materiale: Duroplasto rosso RAL 3003.
Red phenolic plastic RAL 3003.
Duroplast rouge RAL 3003.