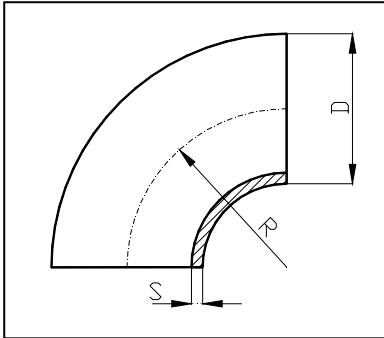


# RACCORDERIA A SALDARE

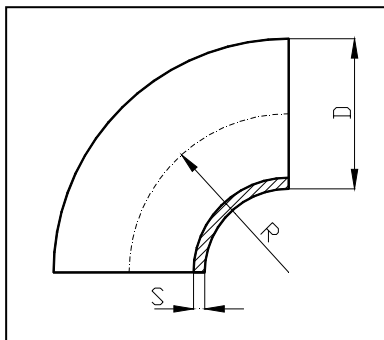
## WELDING FITTINGS



**CURVE 90° ISO**  
90° ISO ELBOWS

DN	D	R	SPESSORE	
10	3/8"	17,0	25,8	1,5-2,0
		18,0	27,0	1,5-2,0
		20,0	30,0	1,5-2,0
15	1/2"	21,3	38,0	1,5-2,0-2,5
		23,0	34,5	1,5-2,0
		25,0	33,0	1,5-2,0
		26,9	39,0	1,5-2,0-2,5
20	3/4"	28,0	37,0	1,5-2,0
		30,0	33,5	1,5-2,0-2,5-3,0
		32,0	48,0	1,5-2,0-2,5-3,0
		33,0	49,5	1,5-2,0-2,5-3,0
		33,7	38,0	1,5-2,0-2,5-3,0
25	1"	34,0	51,0	1,5-2,0-2,5-3,0
		38,0	45,0	1,5-2,0
		40,0	60,0	1,5-2,0-2,5-3,0
		42,4	47,6	1,5-2,0-2,5-3,0
		43,0	64,5	1,5-2,0-2,5-3,0
40	1 1/2"	44,5	51,0	1,5-2,0-2,5-3,0
		48,3	57,1	1,5-2,0-2,5-3,0
		50,0	75,0	1,5-2,0-2,5-3,0
		52,0	78,0	1,5-2,0-2,5-3,0

DN	D	R	SPESSORE	
	53,0	78,0	1,5-2,0-2,5-3,0	
	54,0	75,0	1,5-2,0-2,5-3,0	
	57,0	77,0	1,5-2,0-2,5-3,0	
50	2"	60,3	76,2	1,5-2,0-2,5-3,0
		63,0	94,5	1,5-2,0-2,5-3,0
		70,0	92,0	1,5-2,0-2,5-3,0
		73,0	95,0	1,5-2,0-2,5-3,0
		76,1	96,0	1,5-2,0-2,5-3,0
65	2 1/2"	80,0	120,0	1,5-2,0-2,5-3,0
		84,0	126,5	1,5-2,0-2,5-3,0
		88,9	114,5	1,5-2,0-2,5-3,0
		100,0	150,0	1,5-2,0-2,5-3,0
80	3"	101,6	133,5	1,5-2,0-2,5-3,0
		104,0	150,0	1,5-2,0-2,5-3,0
		108,0	142,5	1,5-2,0-2,5-3,0
100	4"	114,3	142,5	2,0-2,5-3,0-4,0
		125	190,5	2,0-2,5-3,0-4,0
150	6"	168,3	228,5	2,0-2,5-3,0-4,0
200	8"	219,1	305	2,0-2,5-3,0-4,0
250	10"	273	381	2,5-3,0-4,0
300	12"	323,9	457,2	2,5-3,0-4,0



**CURVE 90° ANSI**  
90° ANSI ELBOWS

DN	D	R	SPESSORE					
			SCH. 5	SCH. 10	SCH. 40	SCH. 80	SCH. 160	
10	3/8"	17,2	18,5		1,65	2,31	3,10	
15	1/2"	21,3	38,1		2,11	2,77	3,73	4,75
20	3/4"	26,7	28,6	1,65	2,11	2,87	3,91	5,54
25	1"	33,4	38,1	1,65	2,77	3,38	4,55	6,35
32	1 1/4"	42,2	47,6	1,65	2,77	3,56	4,85	6,35
40	1 1/2"	48,3	57,1	1,65	2,77	3,68	5,08	7,14
50	2"	60,3	76,2	1,65	2,77	3,91	5,54	8,71
65	2 1/2"	73,0	95,2	2,11	3,05	5,16	7,01	9,52
80	3"	88,9	114,3	2,11	3,05	5,49	7,60	11,13
90	3 1/2"	101,6	133,3	2,11	3,05	5,74	8,08	
100	4"	114,3	152,4	2,11	3,05	6,02	8,56	13,49
125	5"	141,3	190,0	2,77	3,40	6,55	9,52	15,87
150	6"	168,3	228,6	2,77	3,40	7,11	10,97	18,24
200	8"	219,1	304,8	2,77	3,76	8,18	12,70	22,01
250	10"	273,0	381,0	3,40	4,19	9,27	12,70	28,57
300	12"	323,9	457,2	3,96	4,57	9,52	12,70	33,32
350	14"	387,3	533,5	3,96	4,76	9,52	12,70	35,71

Disponibili in acciaio inox AISI 304L - AISI 316L  
Available in stainless steel AISI 304L - AISI 316L