

# TENUTE MECCANICHE

## MECHANICAL SEALS

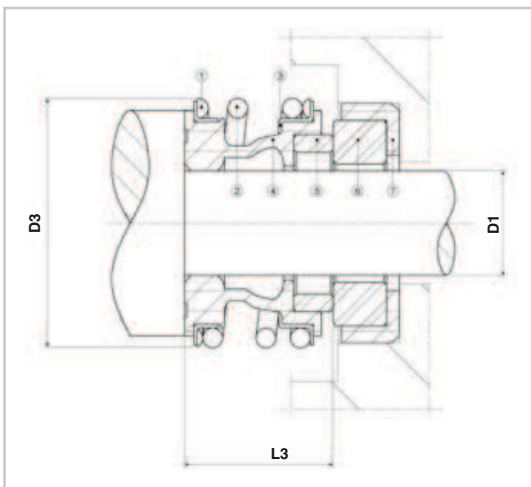
SERIE / SERIES FG1



**INTERCAMBIABILI CON TENUTE ORIGINALI.**  
**APPLICABILI PRINCIPALMENTE SU POMPE DELLE SEGUENTI MARCHE: MARELLI, LOWARA, EBARA, PEDROLLO, F.I.P.S., WILO**

*SUITABLE WITH ORIGINAL SEALS.*

*SUITABLE FOR THE FOLLOWING PUMP BRANDS: MARELLI, LOWARA, EBARA, PEDROLLO, F.I.P.S., WILO*



### TENUTA

Carburo di silicio. Molla acciaio AISI 316. Guarnizioni in Viton®.

### Seal

Silicon carbide. AISI 316 steel spring. Viton® gaskets.

**CONTROFACCIA** - Carburo di silicio. Guarnizioni in Viton®.

**Counterface** - Silicon carbide. Viton® gaskets.

**SENSO DI ROTAZIONE** - Indipendente

**Direction of rotation** - Independent

### LIMITI D'IMPIEGO

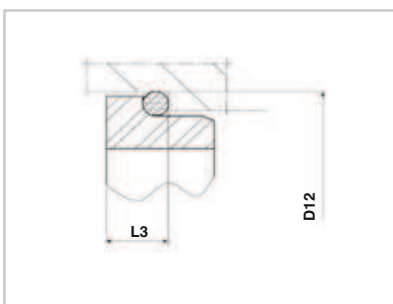
$p= 12 \text{ bar} - v= 10 \text{ m/s} - t= -30^\circ\text{C} + 200^\circ\text{C}$  (acqua calda max 120°C)

### Limits of use

$p= 12 \text{ bar} - v= 10 \text{ m/s} - t= -30^\circ\text{C} + 200^\circ\text{C}$  (hot water max 120°C)

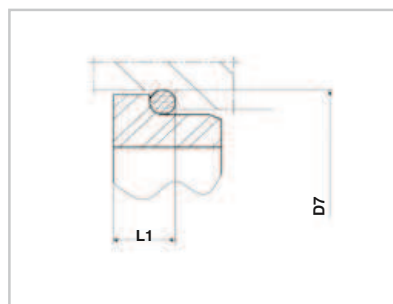
### Controfaccia tipo CS4

Counterface type CS4



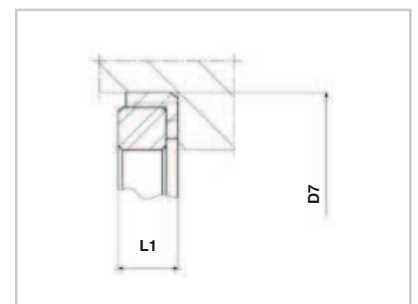
### Controfaccia tipo CC6

Counterface type CC6



### Controfaccia tipo CM60

Counterface type CM60



# TENUTE MECCANICHE

## MECHANICAL SEALS

| TENUTA<br><i>Seal</i> |     |      |      | CONTROFACCIA<br>TIPO CS4 (O-RING)<br><i>Counterface<br/>type CS4 (o-ring)</i> |       |      | CONTROFACCIA TIPO CC6<br>(O-RING) CON MISURE DI<br>MONTAGGIO<br>DIN 24960 - EN12756<br><i>Counterface<br/>type CC6 (o-ring)<br/>with DIN 24960 - EN12756<br/>sizes</i> |     |      | CONTROFACCIA TIPO CM60<br>(CUFFIA) CON MISURE DI<br>MONTAGGIO<br>DIN 24960 - EN12756<br><i>Counterface<br/>type CM60 (cap)<br/>with DIN 24960 - EN12756<br/>sizes</i> |     |      |
|-----------------------|-----|------|------|---|-------|------|--|-----|------|---|-----|------|
| Articolo<br>Art.      | D1  | D3   | L3'  | Articolo<br>Art.  | D12   | L3   | Articolo<br>Art.   | D7  | L1   | Articolo<br>Art.  | D7  | L1   |
| <b>FG1.12</b>         | 12  | 25.5 | 15   | <b>CS4.12</b>   | 21.6  | 5.6  | <b>CC6.12</b>  | 23  | 6.6  | <b>CM60.12</b>  | 23  | 6.6  |
| <b>FG1.15</b>         | 15  | 28.5 | 17   | <b>CS4.15</b>   | 24.6  | 6.6  | <b>CC6.15</b>  | 25  | 6.6  | <b>CM60.15</b>  | 25  | 6.6  |
| <b>FG1.16</b>         | 16  | 28.5 | 17   | <b>CS4.16</b>   | 28    | 7.5  | <b>CC6.16</b>  | 27  | 6.6  | <b>CM60.16</b>  | 27  | 6.6  |
| <b>FG1.17</b>         | 17  | 32   | 19.5 | -   | -     | -    | -  | -   | -    | <b>CM60.17</b>  | 33  | 7.5  |
| <b>FG1.18</b>         | 18  | 32   | 19.5 | <b>CS4.18</b>   | 30    | 8    | <b>CC6.18</b>  | 33  | 7.5  | <b>CM60.18</b>  | 33  | 7.5  |
| <b>FG1.20</b>         | 20  | 36   | 21.5 | <b>CS4.20</b>   | 35    | 7.5  | <b>CC6.20</b>  | 35  | 7.5  | <b>CM60.20</b>  | 35  | 7.5  |
| <b>FG1.22</b>         | 22  | 36   | 21.5 | <b>CS4.22</b>   | 35    | 7.5  | <b>CC6.22</b>  | 37  | 7.5  | <b>CM60.22</b>  | 37  | 7.5  |
| <b>FG1.24</b>         | 24  | 41   | 22.5 | <b>CS4.24</b>   | 38    | 7.5  | <b>CC6.24</b>  | 39  | 7.5  | <b>CM60.24</b>  | 39  | 7.5  |
| <b>FG1.25</b>         | 25  | 41   | 23   | <b>CS4.25</b>   | 38    | 7.5  | <b>CC6.25</b>  | 40  | 7.5  | <b>CM60.25</b>  | 40  | 7.5  |
| <b>FG1.28</b>         | 28  | 49   | 26.5 | <b>CS4.28</b>   | 42    | 9    | <b>CC6.28</b>  | 43  | 7.5  | <b>CM60.28</b>  | 43  | 7.5  |
| <b>FG1.30</b>         | 30  | 49   | 26.5 | <b>CS4.30</b>   | 45    | 10.5 | <b>CC6.30</b>  | 45  | 7.5  | <b>CM60.30</b>  | 45  | 7.5  |
| <b>FG1.32</b>         | 32  | 53.5 | 27.5 | <b>CS4.32</b>   | 48    | 10.5 | <b>CC6.32</b>  | 48  | 7.5  | <b>CM60.32</b>  | 48  | 7.5  |
| <b>FG1.33</b>         | 33  | 53.5 | 27.5 | <b>CS4.33</b>   | 50    | 10.5 | <b>CC6.33</b>  | 48  | 7.5  | <b>CM60.33</b>  | 48  | 7.5  |
| <b>FG1.35</b>         | 35  | 57   | 28.5 | <b>CS4.35</b>   | 52    | 11   | <b>CC6.35</b>  | 50  | 7.5  | <b>CM60.35</b>  | 50  | 7.5  |
| <b>FG1.38</b>         | 38  | 59   | 30   | <b>CS4.38</b>   | 55    | 10.3 | <b>CC6.38</b>  | 56  | 9.0  | <b>CM60.38</b>  | 56  | 9.0  |
| <b>FG1.40</b>         | 40  | 62   | 30   | <b>CS4.40</b>   | 58    | 10.8 | <b>CC6.40</b>  | 58  | 9.0  | <b>CM60.40</b>  | 58  | 9.0  |
| <b>FG1.43</b>         | 43  | 65.5 | 30   | <b>CS4.43</b>   | 62    | 11.6 | <b>CC6.43</b>  | 61  | 9.0  | <b>CM60.43</b>  | 61  | 9.0  |
| <b>FG1.45</b>         | 45  | 68   | 30   | <b>CS4.45</b>   | 64    | 11.6 | <b>CC6.45</b>  | 63  | 9.0  | <b>CM60.45</b>  | 63  | 9.0  |
| <b>FG1.48</b>         | 48  | 70.5 | 30.5 | <b>CS4.48</b>   | 68.4  | 11.6 | <b>CC6.48</b>  | 66  | 9.0  | <b>CM60.48</b>  | 66  | 9.0  |
| <b>FG1.50</b>         | 50  | 74   | 30.5 | <b>CS4.50</b>   | 69.3  | 11.6 | <b>CC6.50</b>  | 70  | 9.5  | <b>CM60.50</b>  | 70  | 9.5  |
| <b>FG1.53</b>         | 53  | 78.5 | 33   | <b>CS4.53</b>   | 72.3  | 12.3 | <b>CC6.53</b>  | 73  | 11.0 | <b>CM60.53</b>  | 73  | 11.0 |
| <b>FG1.55</b>         | 55  | 81   | 35   | <b>CS4.55</b>   | 75.4  | 13.3 | <b>CC6.55</b>  | 75  | 11.0 | <b>CM60.55</b>  | 75  | 11.0 |
| <b>FG1.60</b>         | 60  | 88.5 | 38   | <b>CS4.60</b>   | 80.4  | 13.3 | <b>CC6.60</b>  | 80  | 11.0 | <b>CM60.60</b>  | 80  | 11.0 |
| <b>FG1.65</b>         | 65  | 93.5 | 40   | <b>CS4.65</b>   | 85.4  | 13   | <b>CC6.65</b>  | 85  | 11.0 | <b>CM60.65</b>  | 85  | 11.0 |
| <b>FG1.70</b>         | 70  | 99.5 | 40   | <b>CS4.70</b>   | 92    | 13   | <b>CC6.70</b>  | 92  | 11.3 | <b>CM60.70</b>  | 92  | 11.3 |
| <b>FG1.75</b>         | 75  | 107  | 40   | <b>CS4.75</b>   | 99    | 14.8 | <b>CC6.75</b>  | 97  | 11.3 | <b>CM60.75</b>  | 97  | 11.3 |
| <b>FG1.80</b>         | 80  | 112  | 40   | <b>CS4.80</b>   | 104   | 14.8 | <b>CC6.80</b>  | 105 | 12.0 | <b>CM60.80</b>  | 105 | 12.0 |
| <b>FG1.90</b>         | 90  | 127  | 45   | <b>CS4.90</b>   | 114   | 14.8 | <b>CC6.90</b>  | 115 | 14.0 | <b>CM60.90</b>  | 115 | 14.0 |
| <b>FG1.100</b>        | 100 | 137  | 47   | <b>CS4.100</b>  | 123.3 | 15.8 | <b>CC6.100</b>   | 125 | 14.0 | <b>CM60.100</b>   | 125 | 14.0 |

Oltre il diam.50 si consiglia di montare una controfaccia con asola in quanto la spina di rotazione permette una maggiore tenuta dell'anello stazionario. Chiedere la quotazione al nostro ufficio commerciale.

Above diameter 50, it is recommended to fit a counterface with slot, since the rotating pin allows greater hold than the stationary ring. Ask for a separate quotation.

Su richiesta e' possibile fornire tenute con diametri diversi da quelli illustrati.

Seals with different diameters from those listed can be supplied on request.